



Poppy

NINA JOBS

MATERIAL

DIMENSION

Namnet POPPY kommer från engelskans vallmo och är en beskrivning av formen. De runda kviltade puffarnas form för tanken till en blomma med blomblad som breder ut sig, eller ett bakverk, eller japanska lyktor. Den vackra formen har varit en utmaning där Fogias hantverkskunnande verkligen har satts på prov. Det ser enkelt ut, men det är det inte.

Fogia och NINA JOBS mål har varit att skapa en lättmöblerad och flyttbar sittmöbel, en crossoverprodukt som fungerar i alla rum där man kan tänka sig att ha en stol. Miljöaspekten har varit i starkt fokus för att skapa en slitstark puff med avtagbar klädsel för lång livslängd.

The name POPPY aptly describes its shape. The round, quilted shape of the pouf is reminiscent of a beautiful flower with petals spreading out, or a pastry, or Japanese lanterns. The beautiful shape proved a challenge, really putting Fogia's craftsmanship to the test. It looks simple, but it isn't!

Fogia and Nina Jobs' goal was to create a simple, movable piece of seating furniture, a crossover product that works in any room where you feel like having a seat. Environmental considerations featured heavily in creating a durable pouf with removable covers for a long life.

Puff: Frigolit och polyeter, svept med vadd

Mellanlager: Tyg

Överdrag: Kviltat tyg med insydd vadd

Poppy
Höjd: 45 cm

Diameter: 70/90 cm
(inklusive överdrag)

Poppy Low
Höjd: 27 cm

Diameter: 90 cm
(inklusive överdrag)

Pouf: Styrofoam and polyurethane wrapped with wadding

Middle layer: Fabric

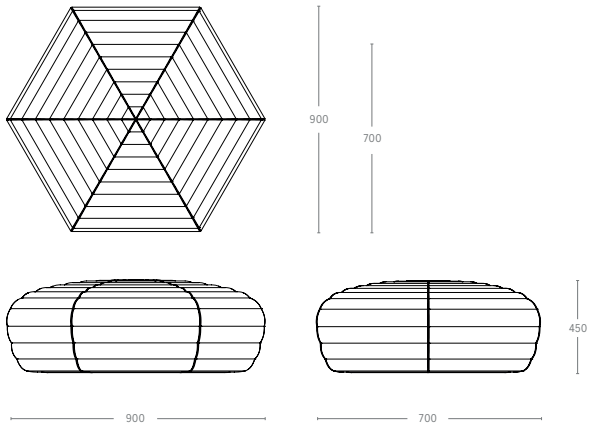
Cover: Quilted fabric with sewn-in wadding

Poppy
Height: 45 cm

Diameter: 70/90 cm
(including cover)

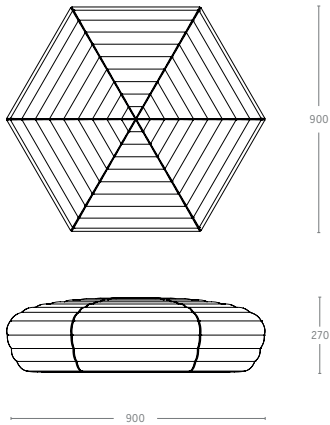
Poppy Low
Height: 27 cm

Diameter: 90 cm
(including cover)



Poppy
Höjd: 45 cm
Diameter: 70/90 cm
(inklusive överdrag)

Poppy
Height: 45 cm
Diameter: 70/90 cm
(including cover)



Poppy Low
Höjd: 27 cm
Diameter: 90 cm
(inklusive överdrag)

Poppy Low
Height: 27 cm
Diameter: 90 cm
(including cover)

UPHOLSTERY	PRODUCER	Info	Retail	MF	Club 5	Cal 117	Prop 65	ALEX	BARBA	BLOCK	BOLLO	CAMPO	DINI	EMBRACE	FRAGMENT	HOOD	JORD	LYRA	MAME	MORRIS	NICHE	POPPY	RETREAT	SLING	SUPERSOFT	TIKI	TONDO	VELAR	UTILITY
TERRAIN	J KIRKBY DESIGN					*		*	*	*	*	*	*	*	*		*	*	*	*	*	*	*	*	*	*	*	*	*
STONE	E KIRKBY DESIGN	5			*			*	*	*	*	*	*	*	*		*	*	*	*	*	*	*	*	*	*	*	*	*
TONICA 2	F KVADRAT			*		*	*	*	*	*	*	*	*	*	*		*	*	*	*	*	*	*	*	*	*	*	*	*
TONUS 4	F KVADRAT			*		*	*	*	*	*	*	*	*	*	*		*	*	*	*	*	*	*	*	*	*	*	*	*
UNIFORM MELANGE	I KVADRAT	3		*		*	*	*	*	*	*	*	*	*	*		*	*	*	*	*	*	*	*	*	*	*	*	*
VIDAR 4	G KVADRAT			*		*	*	*	*	*	*	*	*	*	*		*	*	*	*	*	*	*	*	*	*	*	*	*
WOOLY/ WOOLY PLUS	D NEVOTEX			*		*	*	*	*	*	*	*	*	*	*		*	*	*	*	*	*	*	*	*	*	*	*	*
YOREDALE	E CAMIRA					*	*	*	*	*	*	*	*	*	*		*	*	*	*	*	*	*	*	*	*	*	*	*
ZERO	G SAHCO					*	*	*	*	*	*	*	*	*	*		*	*	*	*	*	*	*	*	*	*	*	*	*
Leather																													
DUNES	SOERENSEN					*	*	*	*-9	*	*	*	*	*	*		*	*	*	*	*	*	*	*	*	*	*	*	*
ELMOSOFT	ELMO				*	*	*	*	*	*	*	*	*	*	*		*	*	*	*	*	*	*	*	*	*	*	*	*
ELMOTIQUE	ELMO				*	*	*	*	*	*	*	*	*	*	*		*	*	*	*	*	*	*	*	*	*	*	*	*
SEVILLA	CAMO				*	*	*	*	*	*	*	*	*	*	*		*	*	*	*	*	*	*	*	*	*	*	*	*
SHADE	SOERENSEN				*	*	*	*	*	*	*	*	*	*	*		*	*	*	*	*	*	*	*	*	*	*	*	*
SHEEPSKIN	SKANDILOCK				*				*-8	*	*	*	*	*	*		*	*	*	*	*	*	*	*	*	*	*	*	*
VINTAGE OTHERS	NEVOTEX	9			*	*	*	*	*-10	*	*	*	*	*	*		*	*	*	*	*	*	*	*	*	*	*	*	*
VINTAGE RANGERS	NEVOTEX				*	*	*	*	*-8	*	*	*	*	*	*		*	*	*	*	*	*	*	*	*	*	*	*	*

- Can contain FR in the fibre
- 1. Recommended only for furnitures with removable covers in home environment
- 2. Not suitable for models with stitched edges on frames and cushions
- 3. Stretch
- 4. This is a stripe. Not recommended for products with extra stitching or heavily curved, concave forms.
- 5. Easy clean/ just use water and a soft shite cloth
- 6. Artificial leather, only suitable for a limited numbers of items in the collection, contact Fogia.
- 7. Horizontally woven stripe
- 8. Only approved for Barba Club armchair
- 9. Colors: Cognac, Dark Chocolate, Olive, Tabacco, Concrete, Black
- 10. Only approved for Barba Club